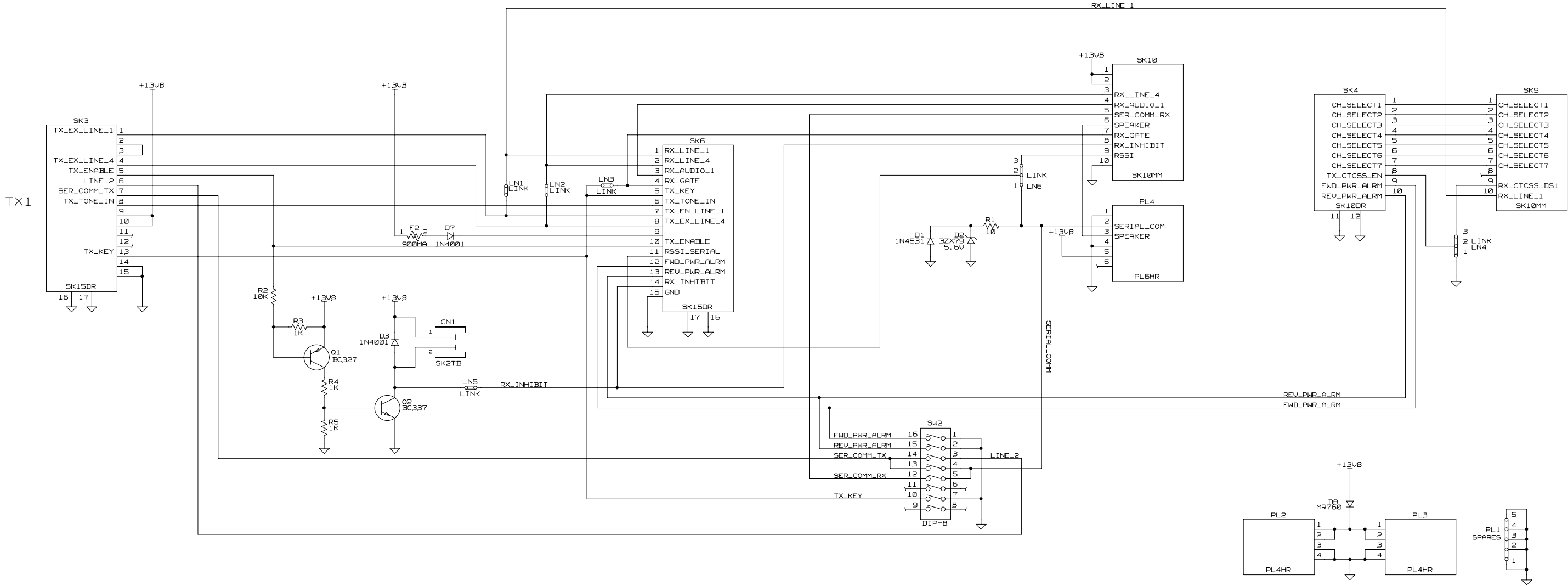
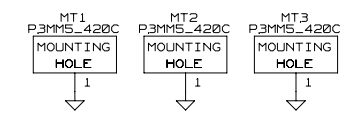


CONNECTS THROUGH LOOMS  
 SK7 - SK9  
 SKB - SK10



Ø1A	DESIGN	PROTOTYPE	M. HALL	CHRIS. Q	M. HALL	C. LEWIS	26AUG05
REV/ISS	AMENDMENTS		DRAWN	CHKD	D. O.	APVD	DATE



© TAIT ELECTRONICS | A1

T800-56-PCB5  
 BSM SLIMLINE BACKPLANE

IPN: 220-01751-01 | ISSUE: A | VARIANT NUMBER: ?

ENGINEER: C. QUINLIAN | FILE NAME: 220-01751 | SHEET NUMBER: 1 OF 1

FILE DATE: Fri Aug 26 14:17:48 2005